

LP5
Technical specifications

Functions

Lifting capacity : 250 kg
 Lifting speed : 13 mm/sec

Operation

Electric : Operating panel
 Emergency stop : Electronic
 Emergency lowering : Mechanical
 Safety lists : Mechanical/electrical safety lists

Weight

LP5 : 118 kg
 Safety gate : 39 kg

Materials

Materials : Aluminium
 Materials : Powder coated/galvanized steel
 Railing : Aluminium
 Safety gate : Aluminium/steel and transparent polycarbonate
 Cover plate, Safety gate : Water resistant plywood

Measurements

A : 150 - 500 (875) mm
 B : 595 mm
 C : 1602 mm
 D : 790 mm
 E : 900 mm
 F : 1076 mm

Safety gate

G : 900 mm
 H : 1100 mm
 J : 55 mm
 K : 1100 mm

Electrical parts

On/off : Automatically
 Power consumption
 Stand-by : 3 W
 Operation : 14,7 W
 Periodic load : 10/90
 Fuse : T10A
 Batteries : 2 x 12V/4.5 Ah
 Gastight and maintenance-free
 Power supply
 Primary : 230 V/115 V
 Secondary : 24 V DC

Classification, tightness

Components : IP 65
 Operating panel : IP 67
 Safety gate
 Components : IP 65

**Accessories/
 Miscellaneous**

: Battery package (for temperatures below -10°C)
 Extra operating panels
 Infrared sender and receiver
 Safety gate

Marking

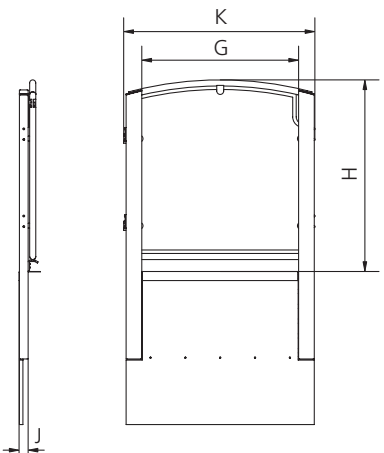
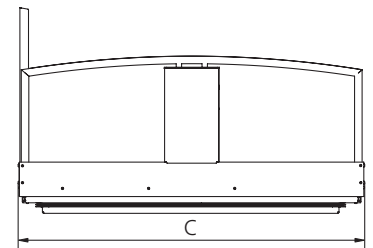
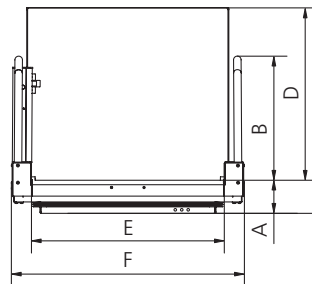
CE-marked according to ISO/DIS 9386-1 : Power-operated lifting platforms for persons with impaired mobility
 EN 60601-1-2 : Medical electrical equipment
 98/37/EEC : Approximation of the laws of the Member States on the safety of machines

Item Number/Model

13050-101 : LP5, standard
 13050-102 : LP5, for recessing
 130560 : Safety gate, left-hand mounted seen from the platform
 130565 : Safety gate, right-hand mounted seen from the platform

Classification

According to ISO 9999 : 18 30 06



Safety gate