



**V. Guldmann A/S**  
 Graham Bells Vej 21-23A  
 DK-8200 Århus N  
 Tel. +45 8741 3100  
 Fax +45 8741 3131  
 info@guldmann.com  
 www.guldmann.com

## Guldmann Mobile lifter GL5 – 100 mm castors Technical specifications

### Functions

Lifting capacity, max : 155/205 kg  
 Lifting speed  
 with 85 kg load : 36 mm/sec  
 Number of lifts per  
 charging : 50 lift with 85 kg  
 Lifting interval : 1320 mm

### Operation

Lift : Electric  
 Width adjustment : Electric

### Weight

Totally : 47 kg  
 Chassis : 22 kg  
 Mast + lifting boom : 21 kg  
 Lifting hanger : 1,7 kg  
 Charger and Handcontrol : 1,0 kg

### Measurements

A. : 64 mm  
 B. : 143 mm  
 C. : 2013 mm  
 D. : 1232 mm  
 E. : 229 mm  
 F. : 518 mm  
 G. : 1322 mm  
 H. min/max : 664/1967 mm  
 I. min/max : 456/1759 mm  
 J. min/max : 572/994 mm  
 K. min/max : 695/1111 mm

### Turning radius

Chassis width, max : 1388 mm  
 Chassis width, min : 1295 mm

### Safety Features

Emergency stop : Yes  
 Emergency lowering : Yes, electronic. Mechanical on request  
 Cut-out system : Yes

### Electrical parts

On/off : Automatically  
 Power consumption : 180 VA  
 Periodic load : 2/18 min  
 Battery capacity : 4 pcs. 12 V/2,1 Ah  
 Gas-tight and maintenance free  
 Battery protection : Switches off automatically at low voltage. Diode flashes to indicate critical voltage  
 Charger : Fully automatic, included.  
 Charging time : Max. 8 hours  
 Charger, primary : 230/115 volt acc. to national voltage  
 Charger, secondary : 24V DC/340 mAh

### Class of tightness

Mobile hoist : IP 32  
 Hand control : IP 44

### Accessories/Miscellaneous

Lifting hanger : To be ordered separately

### Labelling

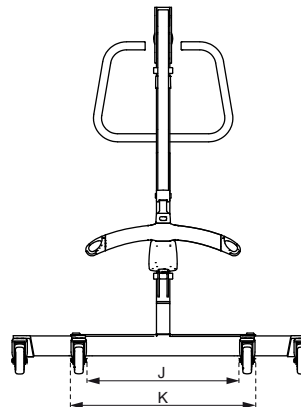
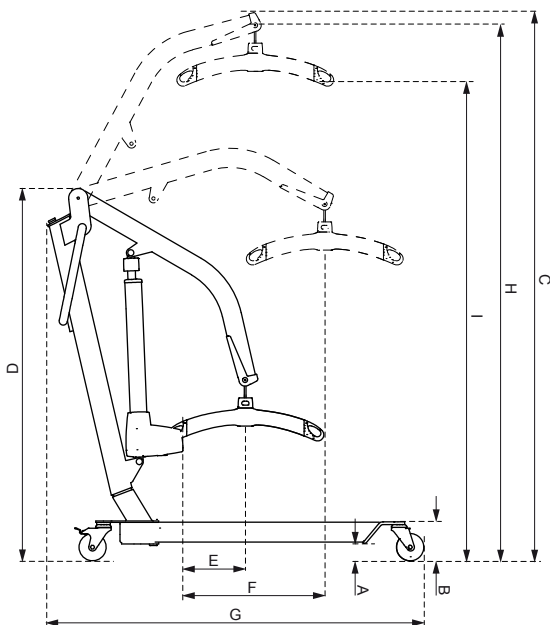
The product is manufactured in compliance with the Council Directive 93/42/EEC of June 14th 1993, including amendments, as medical device class 1.

### Item Number/Model

553600 : 205 kg, 100 mm castors  
 553690 : 155 kg, 100 mm castors  
 553691 : 205 kg, 100 mm castors, manual lowering  
 553692 : 155 kg, 100 mm castors, manual lowering

### Classified

acc. to ISO 9999 : 12 36 03



**Time to care**